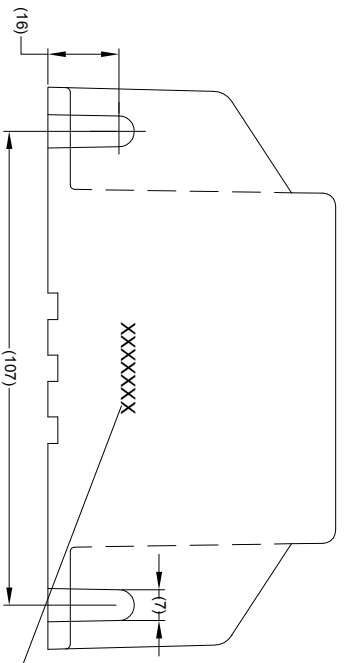
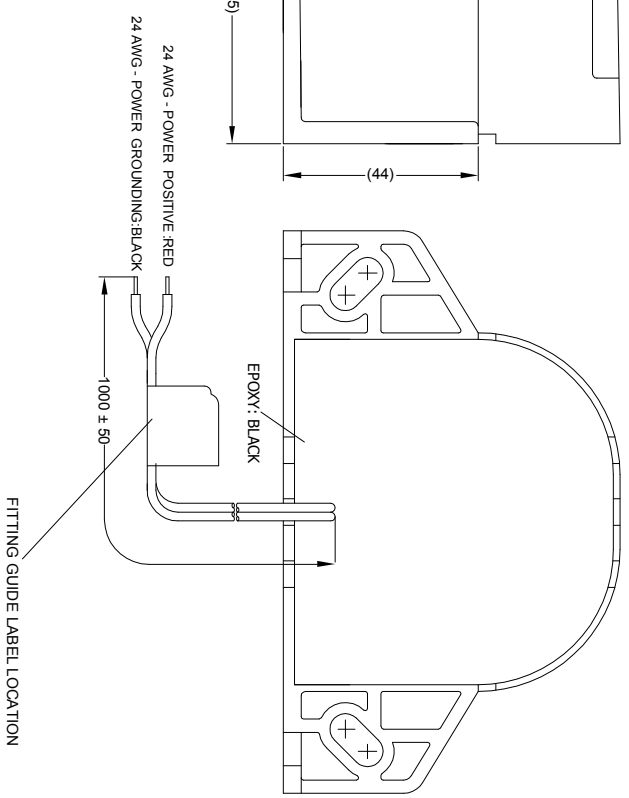
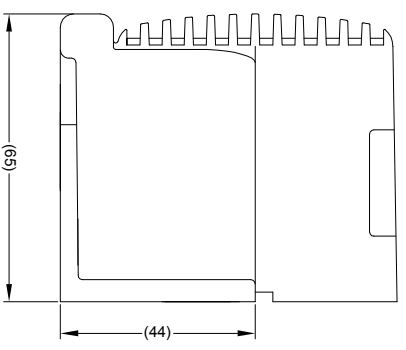
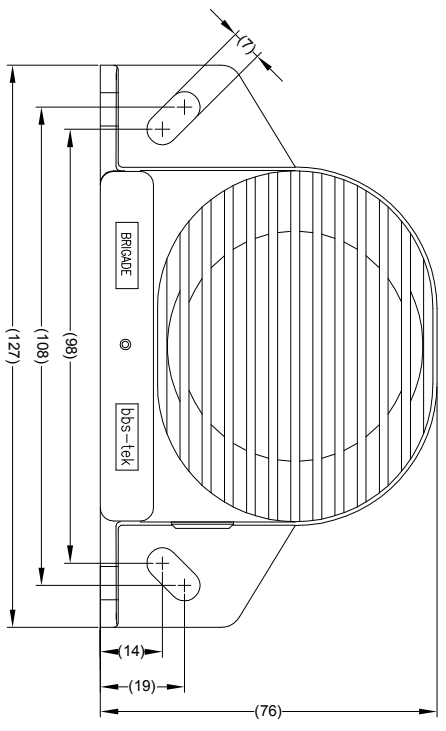
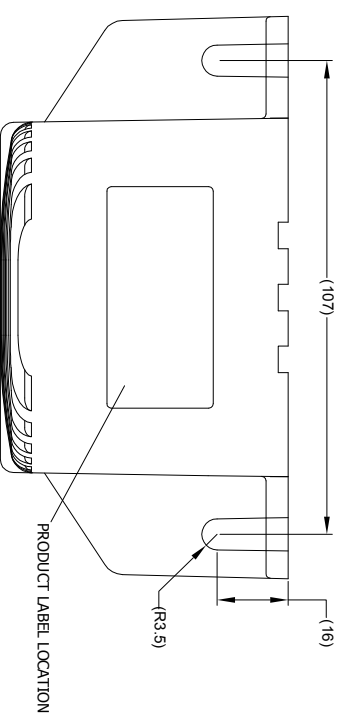
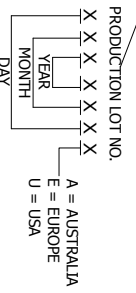


Revision Notes			
R1 -			
APAs -	Drawn -	Checked -	Approved -
			Date -

- SPECIFICATION:**
1. RATED VOLTAGE: 36~84 VOLTS DIRECT CURRENT (WORKING VOLTAGE RANGE 28~94 VOLTS)
 2. RATED CURRENT: 150 MILLI AMPERES OR LESS.
 3. SOUND PRESSURE: 92±4 DECIBELS AT TEST VOLTAGES OF 42~94 VOLTS (AS MEASURED AT A DISTANCE OF 1.2 METERS AND AT A HEIGHT OF 1.2 METERS ABOVE THE GROUND)
 4. INTERMITTENCE: CONTINUATION
 5. TONE: WHITE SOUND (bbs)
 6. ENVIRONMENTAL TESTS PER SAE J994.



- NOTES:**
1. MATERIAL HOUSING: ACRYLONITRILE ETHYLENE STYRENE (AES) PLASTIC.
 2. FOR PRODUCT LABEL REFER TO LATEST REVISION OF DRAWING BE-002833-XX-14.
 3. FOR GIFTBOX LABEL REFER TO LATEST REVISION OF DRAWING BE-002834-XX-14.
 4. SUPPLIED IN A 135x100x77 GIFTBOX REFERENCE DRAWING: BE-002027-XX-12.
 5. SUPPLIED WITH BRIGADE BACKALARM FITTING AND OPERATING MANUAL



PROPRIETARY NOTICE
THIS DESIGN AND TECHNICAL INFORMATION APPEARING ON THIS DRAWING IS THE PROPERTY OF BRIGADE ELECTRONICS AND IS DISCLOSED IN CONFIDENCE. IT IS NOT TO BE COPIED, REPRODUCED, REVEALED TO OR EXPLOITED BY OTHERS, EITHER IN WHOLE OR IN PART WITHOUT THE EXPRESS WRITTEN CONSENT OF BRIGADE ELECTRONICS.

BRIGADE
www.brigade-electronics.com

Assembly PI Approval KILDA - 19/12/14	Approved by SMAITHENS	Checked by PIMISSEN	Drawn by RBATES
Angle of Projection Third Angle	Units mm	Scale N/A	Status DRAFT
	Released 22/12/14	Assembly Ref -	Part No 1394
			CT-BBS-92HV
			BE-002996-00-14